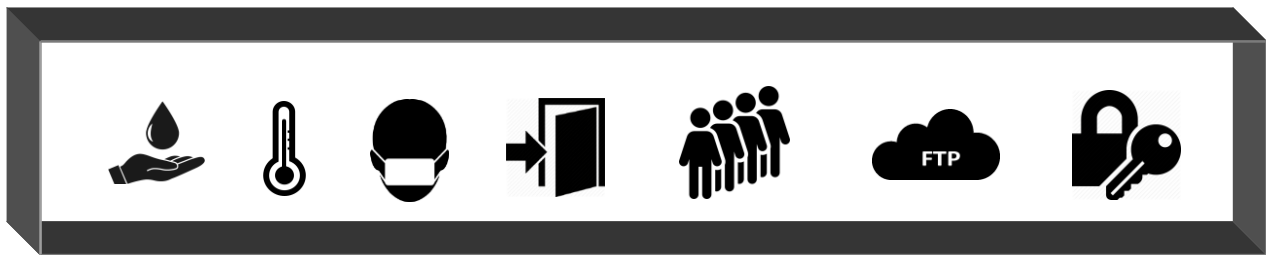


SAFE C19

Automatic Contactless Face Mask Detection /
Temperature detection / Hand sanitizer



STANDARD
RT-SC19-S0



PRO
RT-SC19-P0



LITE
RT-SC19-L0

COVERING SHEET

REVISION HISTORY

REV NO.	DATE	NO. OF PAGES	PREPARED BY	REVIEWED BY	APPROVED BY
0	19-08-2020	04	HH	CT	AX

SAFE C19

Automatic Contactless Face Mask Detection /
Temperature detection /Hand sanitizer



1. DESCRIPTION:

SAFE C19, a fully automatic temperature and face mask detection solution for a completely contactless with hand sanitizer.

A solution so unique that it has integrated door access control if monitoring parameters are normal. An image is still captured, stored locally and uploaded in cloud server on its own, as reference for auditing.

Meant to be used in indoor public spaces like Offices, Factories, Showrooms, Schools, Colleges, Residential societies, ATMs, Banks, Shops, Theaters, Supermarkets and so on...

2. FEATURES:

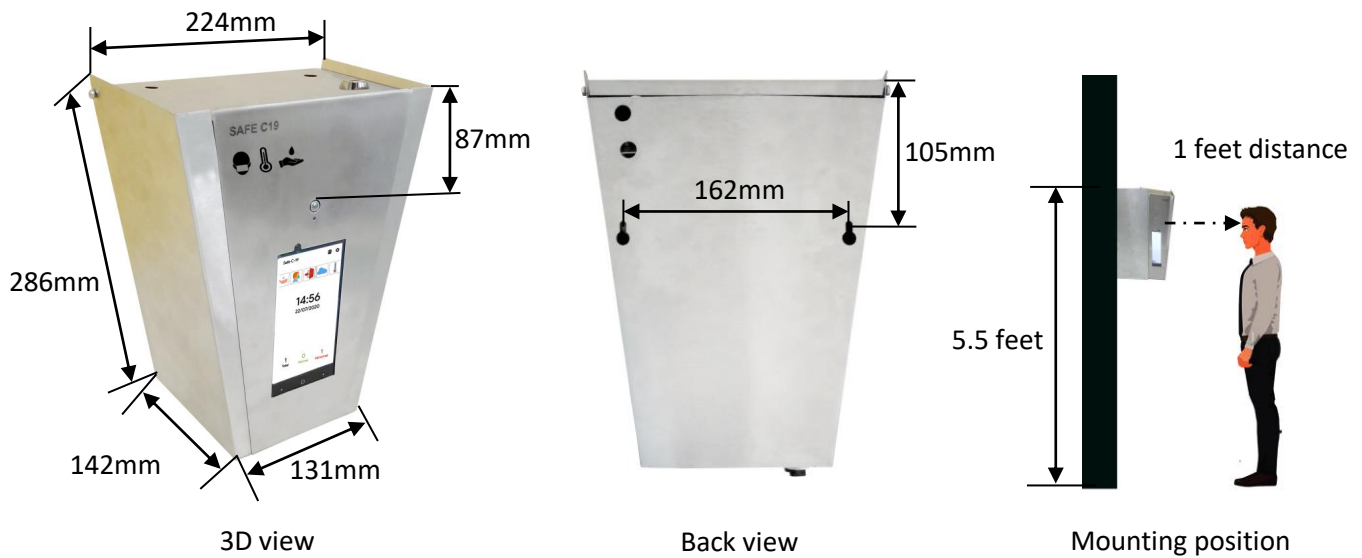
- Rugged Stainless steel hygienic body
- Automatic temperature detection with high accuracy
- Automatic face mask detection
- 5.0-inch IPS LCD display for Pro model
- OLED 25x15mm Display for Standard model
- Contactless hand sanitizer
- Safety key lock for sanitizer
- 2 Liters Tank Capacity
- Aesthetic design
- Indoor wall mounting
- Access control for entry restrictions
- Daily people count
- Cloud image view
- Local event image log with password protection
- Buzzer/LED indication for Normal/ Abnormal/ Faulty
- Cable entries options from rear, top and bottom
- Accessories - Funnel, Mounting Screws and Fischer's
- Operating voltage, 12VDC, External adapter 110/220VAC included.
- Power consumption normal ≤ 10 Watts, Peak power consumption ≤ 30 Watts.



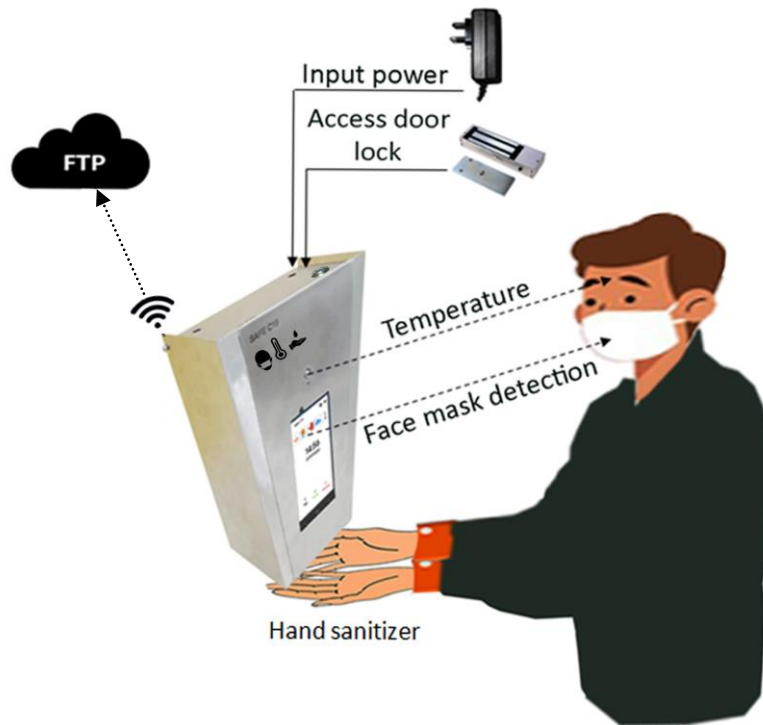
3. PRODUCT SELECTION:

Model	Description	Dimension (W*H*D)mm
RT-SC19-P0-D41 PRO	SAFE C19 Pro model Contactless Temperature and mask detection with automatic hand sanitizer, Stainless steel enclosure, Daily people count, Access door interface local & Cloud images provision included.	224* 286 * 142
RT-SC19-S0-D41 STANDARD	SAFE C19 Standard model Contactless Temperature with Automatic Hand sanitizer, Stainless steel enclosure, Daily people count & Access door interface included.	224* 286 * 142
RT-SC19-L0-D41 LITE	SAFE C19 Lite model Contactless Automatic Hand Sanitizer, Stainless steel enclosure.	224* 286 * 142

4. DIMENSION:



5. CONNECTION DIAGRAM:



TYPICAL PRO MODEL

6. CALIBRATION:

This product is factory calibrated, No field calibration is necessary for the life of this product.

7. WARRANTY:

1 year warranty