



**STOP CALL WAIT DISPLAY UNIT
RT-SDU**



RT-SDU

COVERING SHEET

REVISION HISTORY

REV NO.	DATE	NO. OF PAGES	PREPARED BY	REVIEWED BY	APPROVED BY
0	02-11-2017	03	GSB	RA	AX
1	20-05-2021	03	HH	RA	AX



X-LiteTM

STOP CALL WAIT DISPLAY UNIT RT-SDU



1. DESCRIPTION:

The stop call wait display unit, which is designed as per the client's requirement of alerting and requesting the service of the maintenance engineers when there is any breakdown in the work station systems under intensive usage. This system is designed to handle up to 19 workstation requests, and indicate the workstation number in need of service in the display unit.

2. FEATURES:

- 230V, 50HZ AC input power
- Internal input power conversion 230VAC to 24VDC, 4A
- Reverse polarity protection for 24VDC power supply
- 19 Opto-Isolated input channel for a maximum of 19 users to give alert to the maintenance engineers during breakdown of any workstation
- One relay / Mosfet output for hooter blow for alerting the maintenance engineers
- One opto-isolated input for the acknowledgment of service request by maintenance engineer
- Two eight-inch red colour seven segment display with the luminous intensity of 100mcd per segment and a forward current of 20ma per segment
- Rugged powder coated (RAL7035) metallic cabinet with the dimension of 450Wx300Hx120D mm
- Operating temperature range is from -20°C to 55°C

OPERATIONAL FEATURES:

- Gets the fault alert from the user for service request (Maximum 19 users)
- Blows the hooter alerting to the maintenance engineers for attention
- Maintenance engineers acknowledge the request by a press of a switch near them to silence the hooter, and start action.
- On the request, the number of workstation requesting service will be displayed on the display
- Once the service is done, the maintenance engineers make the request switch of the work station



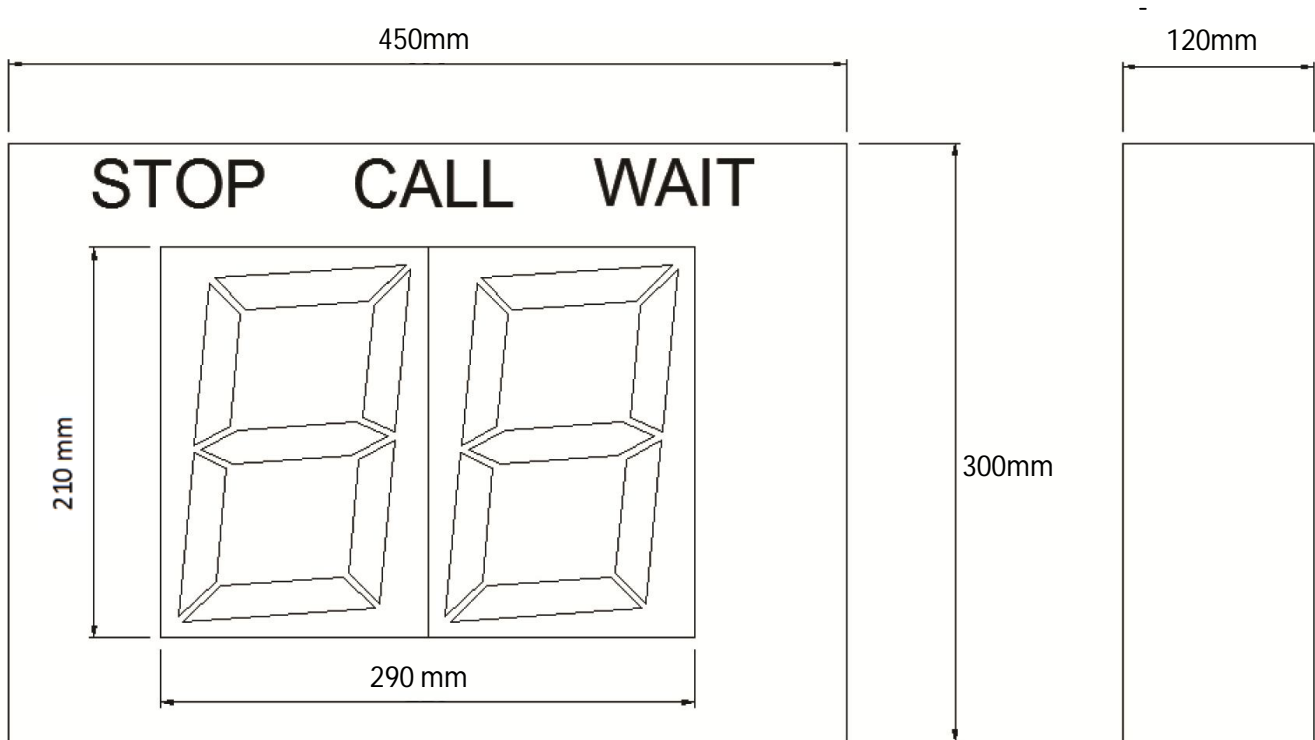
off. And the display goes to 00. And system gets ready for another service request.

- When, on one serve under process any other service is requested, it is queued up for process, and once the present service is done. It will do the same for the queued up services.

3. PRODUCT SELECTION:

Model	Communication	Dimension (W*H*D)mm
RT-SDC	NA	450x300x120

4. DIMENSION:



5. CALIBRATION:

This product is factory calibrated, No field calibration is necessary for the life of this product.

6. WARRANTY:

1 year warranty

