

X-LiteTM

INDUSTRIAL EMERGENCY LIGHTING WITH 'EXIT'

Halogen Lamps

Indoor



REVISION HISTORY

REV NO.	DATE	NO. OF PAGES	PREPARED BY	REVIEWED BY	APPROVED BY
0	26.11.16	3	GSB	VR	AX



X-LiteTM

TM

INDUSTRIAL EMERGENCY LIGHTING WITH 'EXIT' Halogen lamps Indoor



1. APPLICATIONS:

Industrial Emergency Lightings designed with accuracy and longevity in mind. Our selections of emergency lighting products are designed for the toughest of environments and performing beautifully. The selection consists of models designed for indoor, wet-location, food processing and extreme temperatures. Corrosion resistant, rugged metal units featuring fully adjustable lighting heads and easy installation.

2. FEATURES:

- Indoor wall mounting / surface mounting
- Powder coated rugged metal housing & cover
- Glare-free twin lighting heads
- Rotatable 180 degree bidirectional lamp heads
- Halogen lamps
- 7 AH, 12V SMF lead acid / Nickel Cadmium battery
- Fully automatic solid state charger
- Transformer isolation protection
- Input supply of 230V 50Hz / 120V 60Hz
- Fuse Protection
- Floating charger
- Test switch and LED indications
- Power consumption 15 watts during charging otherwise 5 watts only
- Power cord P+N+E of 1 meter length with IEC type D 3 pin plug.

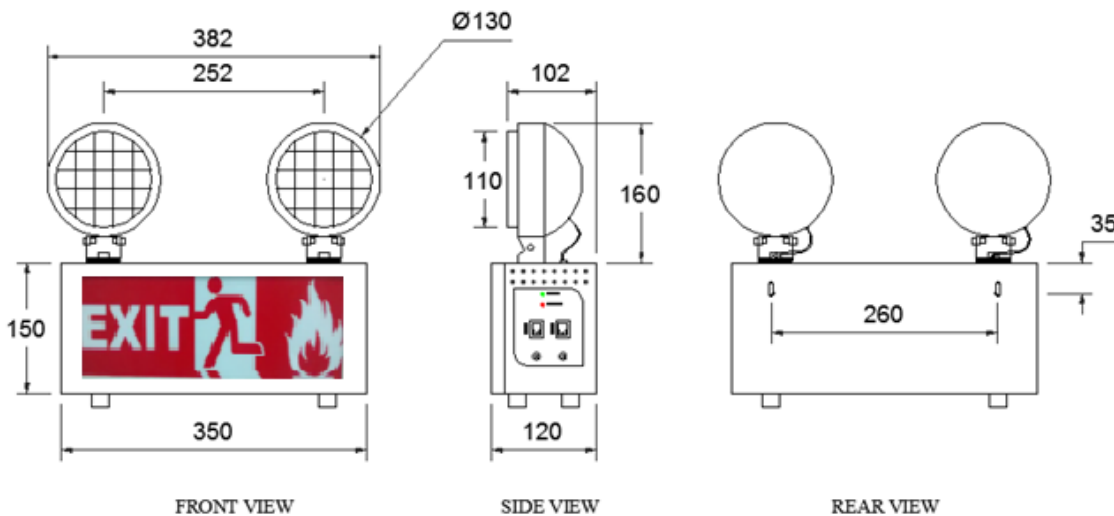


3. PRODUCT SELECTIONS:

Model *	Back-up	Capacity	No. of lamps
RT-EML-220-SHI-LXX	90 minutes	20 W	2
RT-EML-255-SHI-LXX	45 minutes	55 W	2
RT-EML-280-SHI-LXX	30 minutes	80 W	2

* Lamp type wattage, battery type shall be customised upon request.
 For Nickel cadmium, substitute 'N' instead of 'S'
 For 120V, 60Hz, suffix 120V to be added to the model number.

Description of Lxx	Legend	Description of Lxx	Legend	Description of Lxx	Legend	Description of Lxx	Legend
L01		L02		L03		L04	
L05		L06		L07		L08	
L09		L10		L11		L12	
L13		L14		L15		L16	
L17		L18		LCZ			



All Dimensions are in 'mm'

4. CALIBRATIONS:

This product is factory calibrated, No field calibration is necessary for the life of this product.

5. CERTIFICATIONS:

CE certified, RoHS compliant, ISO 9001:2008

6. WARRANTY

1 year warranty

Note: Please refer our product catalogue for other models selection.